

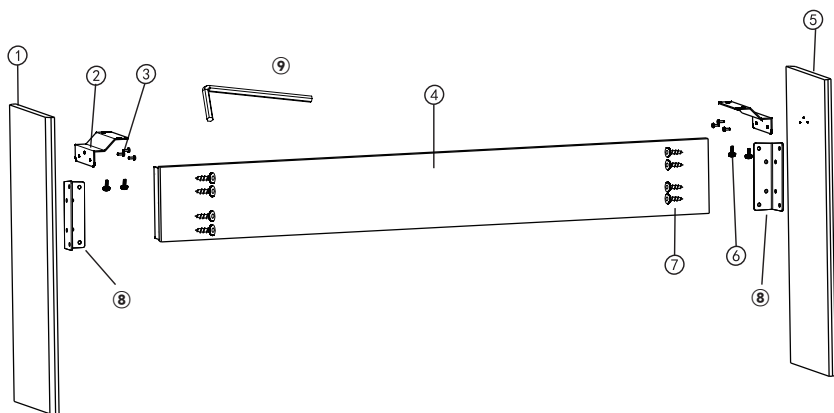
# Starfavor wooden piano stand

## Assembly instructions

This Stand mostly compatible for Yamaha P-85, P-95, P-35, P-45 (P71) ,P-105 and P-115

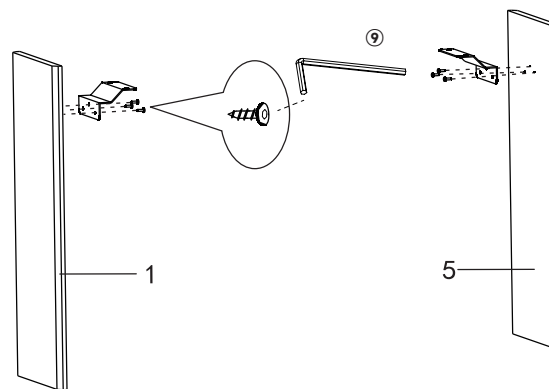
### PREPARATION BEFORE INSTALLATION:

- 1.Please confirm if the accessories are complete before assembly.
- 2.Before installation, identify the piano frame accessories and their corresponding screw hole positions



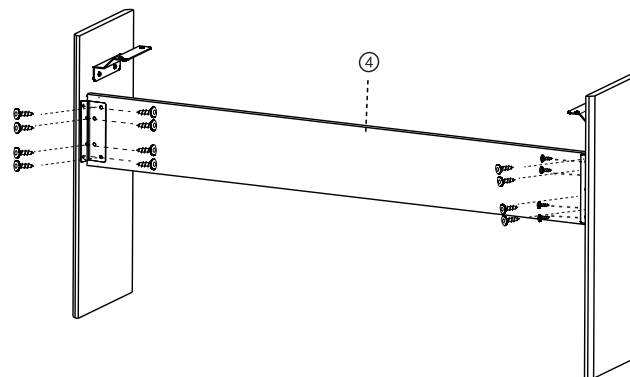
Name	Quantity	Name	Quantity
1. Left Board	1 PCS	6.M5*20mm Screw	4 PCS
2. Metal Holder	2 PCS	7.M5*16mm Screw	16 PCS
3. M5*16mm Screw	6 PCS	8.Metal Holder	2PCS
4. Back Board	1 PCS	9.Hex Key Wrench	1PCS
5. Right Board	1 PCS		

**Step 1:** Pick up 2 Metal holders (2) and 6 M5\*16mm screws (3) in the package, then fix the two holders on the left and right side panels respectively with the wrench (9).



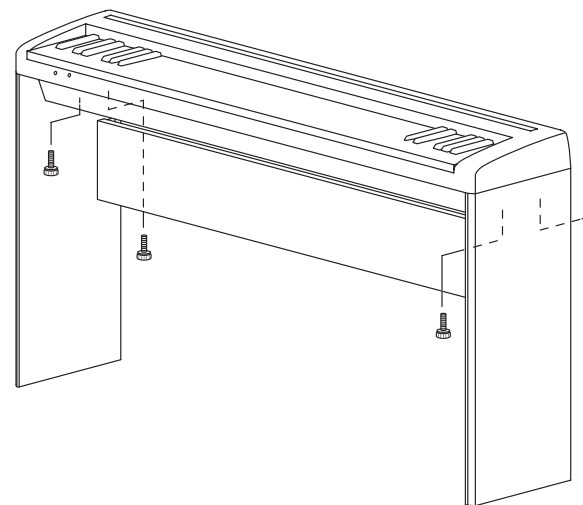
Type	NO.	QTY
	2	2
	3	6
	9	1

**Step 2:** Fix the backboard(4) to the screw holes corresponding to the left and right boards using 16 M5\*16mm screws(7).  
Then the installation is complete



Type	NO.	QTY
	7	16
	9	1

**Step 3:** It need two people to work together to move the piano onto the stand, and then fix it to the holder with 4 M5 \* 20mm screws(6) and lock it tightly.



Type	NO.	QTY
	6	4