

***SEK-37W***

***Wooden Keyboard Piano Set  
User Manual***

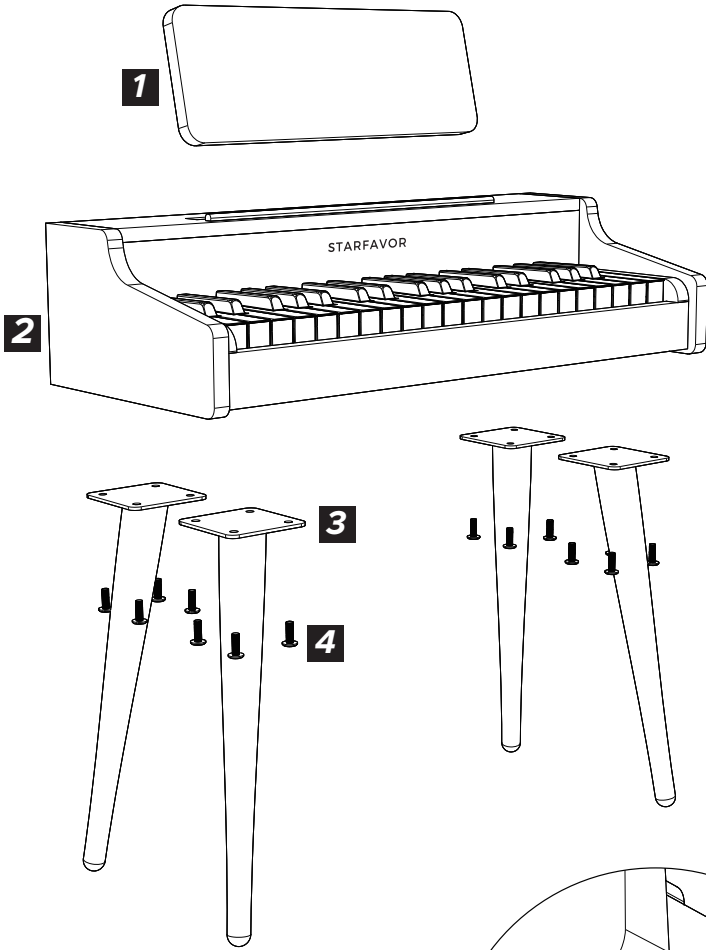
# CONTENT

---

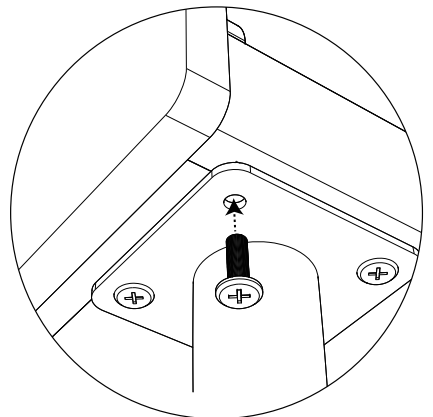
<b>Keyboard Installation Instruction</b> .....	01
<b>Stool Installation Instruction</b> .....	02
<b>Introduction</b>	
<i>Rear Panel</i> .....	03
<i>Brief introduction</i> .....	03
<b>Setting Up</b>	
<i>Power On/Off</i> .....	04
<i>Master Volume</i> .....	04
<i>Install the Music Rest</i> .....	04
<b>Security Warning</b> .....	05

# Keyboard Installation instruction

---

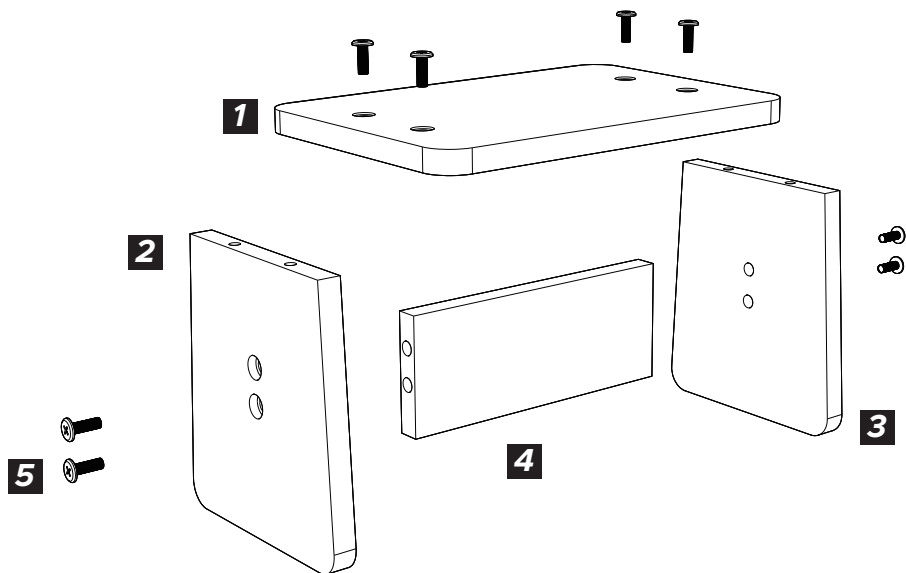


- 1** Piano music sheet
- 2** 37key Wooden Keyboard Piano
- 3** Piano legs \*4 PCS
- 4** Screw M6\*16 PCS

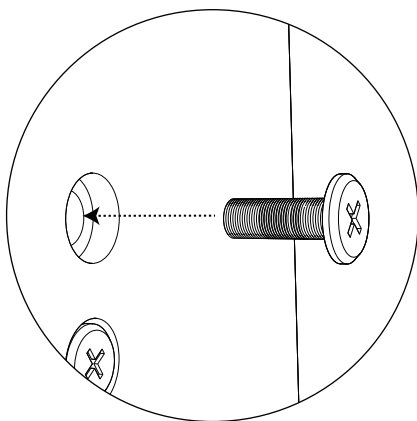


## Stool Installation Instruction

---



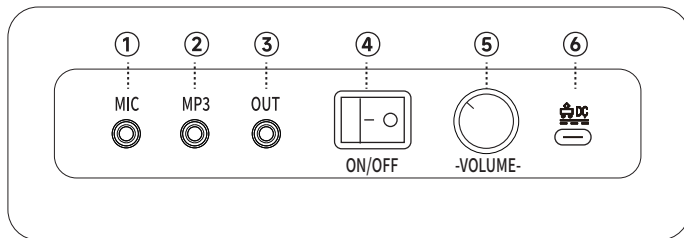
- 1** *Stool Surface\*1*
- 2** *Stool Left leg\*1*
- 3** *Stool Right Leg\*1*
- 4** *Stool Junction Plate\*1*
- 5** *Screw M6\*35mm \*8Pic*



# Introduction

---

## Rear Panel



- ① **Microphone:** This jack is use to connect a dynamic microphone with a 3.5mm plug.
- ② **MP3 Jack:** This jack is used to connect to external instrument's audio, with a 3.5mm audio cable.
- ③ **Aux out:** This jack is used to connect external speakers with a 3.5mm audio cable.
- ④ **Power:** This button is used to turn the instrument on and off.
- ⑤ **Volume:** Use this knob to control the volume.
- ⑥ **Charge:** This Jack is used to connect the AC power adaptor, please use the 5V adaptor, otherwise the product may be damage.

*\*The product should first be charged for 5 hours upon receipt, please don't use the product while charging.*

## Brief Introduction

<b>Content</b>	Data
<b>Keyboard</b>	37 Full-Size Keys
<b>Pitch Range</b>	C~c2
<b>Tone</b>	1
<b>Rhythm</b>	/
<b>Demo</b>	/
<b>Adjust</b>	Volume
<b>Connecting</b>	Microphone, Audio Out, Mp3
<b>Charge Voltage</b>	4.2A 1000mA

## Setting Up

### Power On/Off



Connect the AC adapter(in package) to the instrument, please use the 5V adapter, otherwise the product may be damage.

*\*The product should first be charged for 5 hours upon receipt, please don't use the product while charging.*

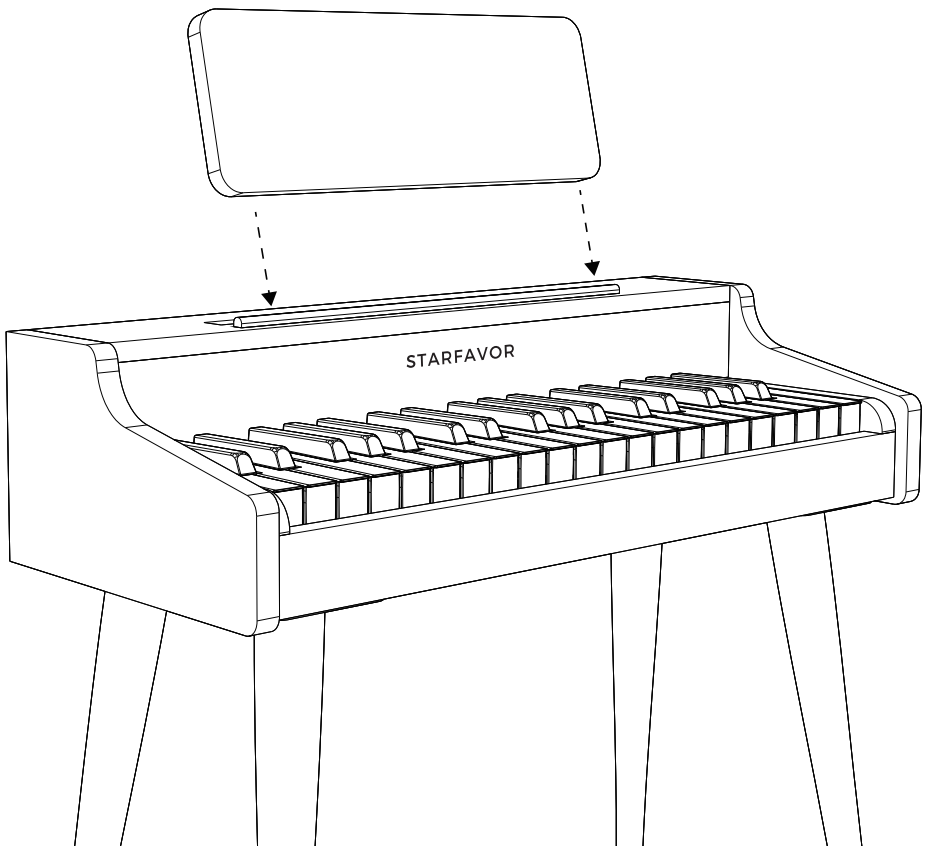
### Master Volume



The knob can adjust the master volume, you can adjust the master volume as you need.

### Install the Music Rest

Insert the music rest on the instrument as shown.



## **Security Warning**

*Please do a good job of the maintenance of the electric piano, which is very important to extend the life of the electric piano and reduce the fault.*

*Please do not open the shell of the electric piano and try to disassemble its components, and do not make any changes to the interior. If the function is abnormal during use, please stop using and contact us.*

*Please use the specified data cable to charge, charging with the wrong data cable will damage the product.*

*If not used for a long time, please turn off the power switch behind the piano. Otherwise, the battery will run out if it is left on for a long time.*

*Please don't place the product in an environment of dust, vibration, extreme cold or hot (such as direct sunlight, near the heater or inside the car under the sun) to avoid damage the appearance and damage to the internal electronic components.*

*To prevent the electric piano from rain or moisture, do not place a container with liquid on the electric piano to avoid liquid flowing into the piano and damaging the internal components.*

*It must be unpacked and installed by an adult. Please store it properly after disassembling and do not discard it at will.*

**About Starfavor**

Starfavor was founded in 2019 by a group of descendants from a family of instrument craftsmen. Inspired by their fathers, they have a deep love for the music industry and aspire to uphold traditional craftsmanship while combining modern innovative technology to create new and exciting music equipment.



Youtube



Website



Facebook