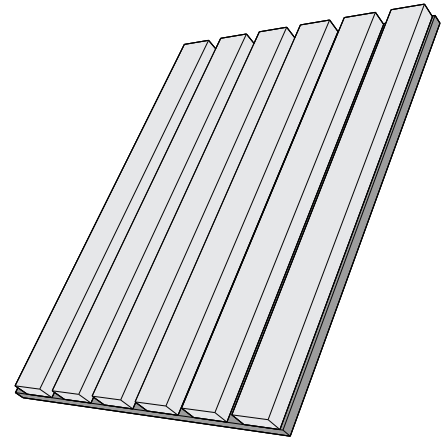


Starfavor Wood Slat Acoustic Panel Manual

Material	Polyester Fiber+MDF+Wood Veneer			
Color	Walnut/Oak/Zebra			
Dimensions of 1Pc	Extra Large	Standard	Medium	Small
	120*60*2cm	120*28*2cm	60*28*2cm	40*28*2cm
Quantity	2Pcs	2Pcs	8Pcs	6Pcs



Installation

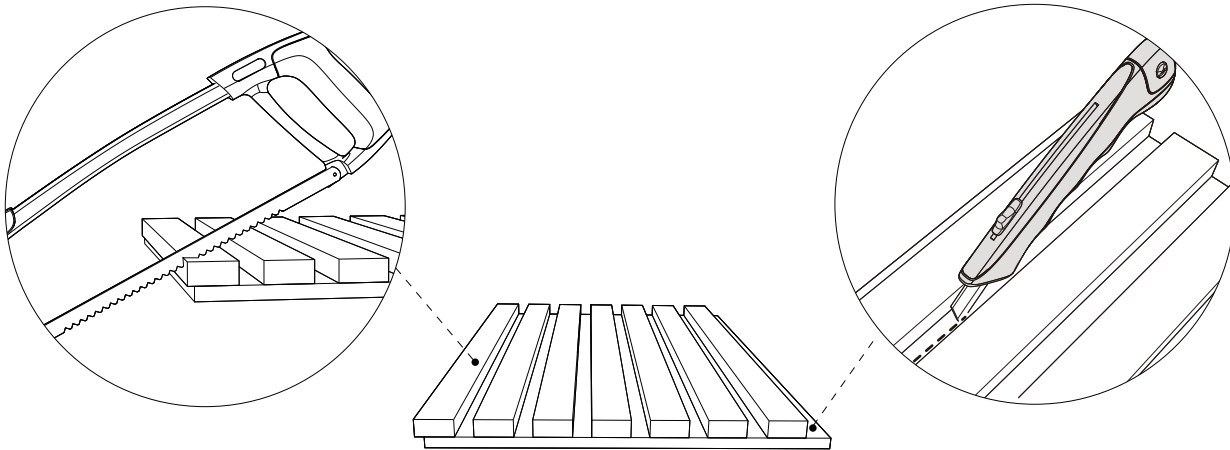
1. Tools you may need before installation: tape measure, marking tool, adhesive or screws, screwdriver, saw, level.

NOTE: These tools are NOT included in the package!

2. Prepare the wall surface. Remove dust and smooth out imperfections.

3. Mark the wall where the panels will be installed and use a level to ensure straight, even placement.

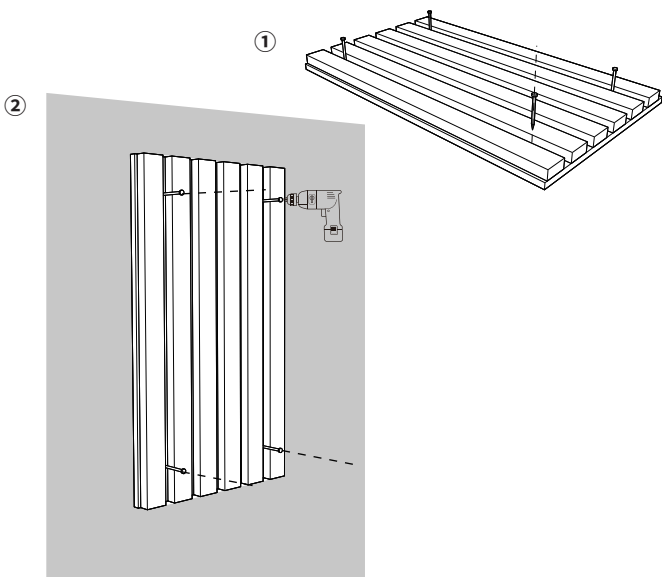
4. If cutting is needed, mark down the size on the panel. Cut the slats with a saw and trim the felt with a utility knife. Finish the edges of slats with sandpaper.



5. The acoustic panels can be installed by using screws or adhesives.

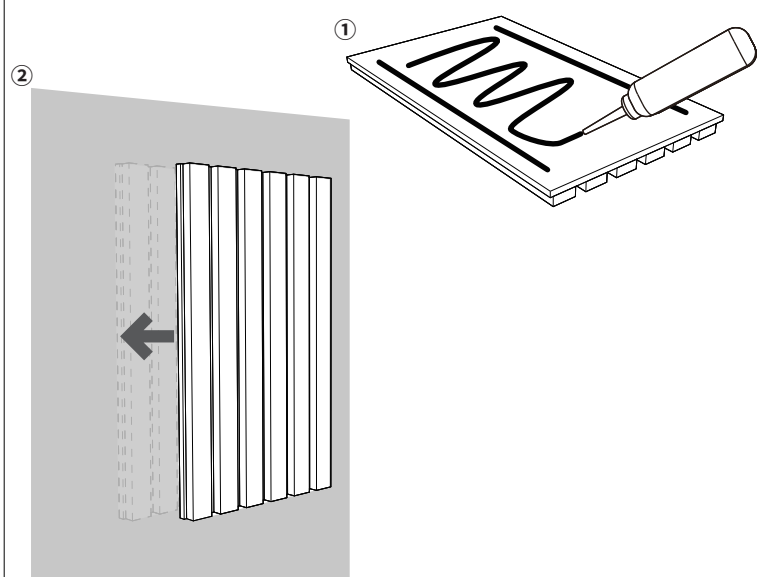
• Screws

Insert screws through front of the panel into felt backing. Offer panels up to correct position on the wall. Drill all the screws to secure the panels.



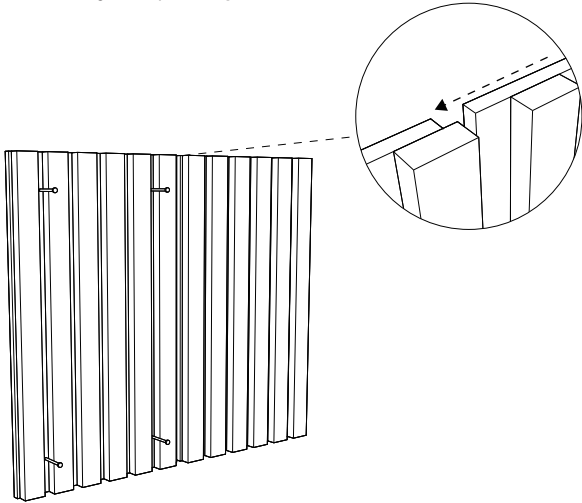
• Adhesives

Apply enough adhesive to the back of the panel. Line the panel up in the installation location and press it firmly onto the wall.

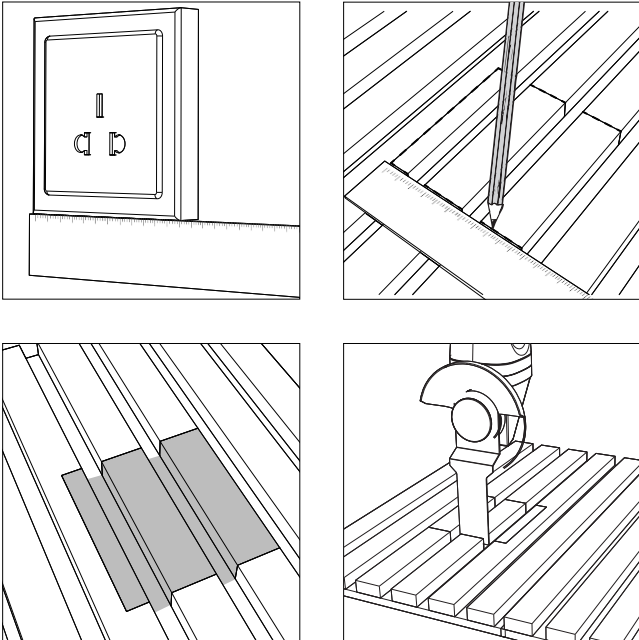


Note: Most adhesives will grab instantly, but take hours to adhere fully, so we recommend putting 1-4 screws or finishing nails through the felt to hold the panels in place while they bond. The screws or nails can be removed from the felt once the adhesive has bonded to your wall.

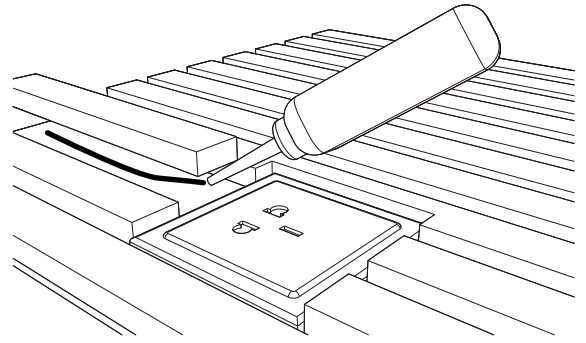
6. The tongue and groove pattern of the felt and the slats will allow you to fit each panel side-by-side while maintaining uniformity in spacing between slats



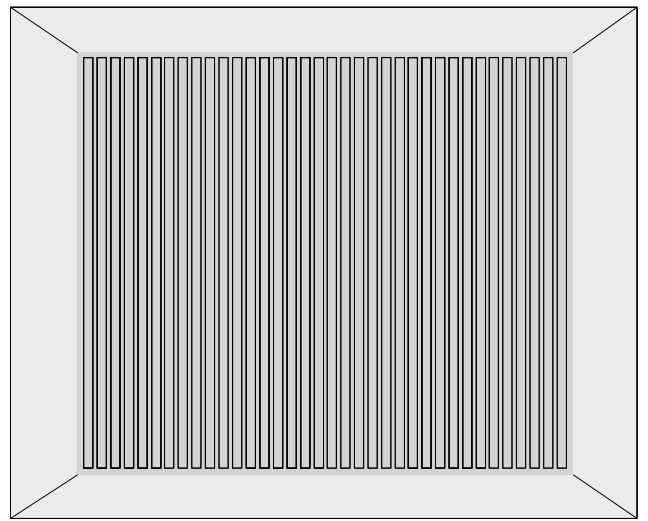
7. To make space for an electrical socket or something else, measure the area and mark it down on the panel. Make cuts to the panel and apply it to the wall.



Note: If the slat gets loose, use adhesives to stick it back on.



8. Now you finish the installation! Enjoy the transformative impact of our wood slat acoustic panels on your space. Experience the improved acoustics, reduced echo, and enhanced visual appeal that these panels provide.



Warning Tips:

- Always follow the tool manufacturer's safety recommendations when using saws, knives or other machinery.
- Protective gloves must be worn when handling and cutting the panels, and care should be taken when lifting.
- Avoid installation if the panels, wall or surrounding areas are wet.
- Ensure Panels are fixed securely to avoid pulling away from the wall.
- Dust regularly and wipe with a damp cloth as needed.
- Avoid harsh chemicals or abrasive cleaners that could damage the finish, however, a mild soap can be used to remove any stubborn stains using a soft, slightly damp cloth.
- If panels have been fitted with wall grab adhesive and ever need to be removed, this may damage the surface of the wall behind due to the stickiness of the adhesive.
- If you have any questions, please don't bother to contact us. We will definitely reply you within 24 hours and solve your problems in time.

About Starfavor

Starfavor was founded in 2019 by a group of descendants from a family of instrument craftsmen. Inspired by their fathers, they have a deep love for the music industry and aspire to uphold traditional craftsmanship while combining modern innovative technology to create new and exciting music equipment.



Youtube



Website



Facebook