



KA-500

Home Theater Karaoke Amplifier System
Receiver Owner's Manual Version 2



(The above warning is located on the rear of the unit.)

Explanation of Graphical Symbols



The lightning flash with arrowhead symbol within an equilateral triangle is intended to alert the user to the presence of uninsulated “dangerous voltage” within the product’s enclosure that may be of sufficient magnitude to constitute a risk of electric shock to persons.



The exclamation point within an equilateral triangle is intended to alert the user to the presence of important operating and maintenance (servicing) instructions in the literature accompanying the product.

IMPORTANT SAFETY INSTRUCTIONS

- 1 .Read these instructions.
- 2 .Keep these instructions.
- 3 .Heed all warnings.
- 4 .Follow all instructions.
- 5 .Do not use this apparatus near water.
- 6 .Clean only with dry cloth.
- 7 .Do not block any ventilation openings. Install in accordance with the manufacturer’s instructions.
- 8 .Do not install near any heat sources such as radiators, heat registers, stoves, or other apparatus (including amplifiers) that produce heat.
- 9 .Do not defeat the safety purpose of the polarized or grounding-type plug. A polarized plug has two blades with one wider than the other. A grounding type plug has two blades and a third grounding prong. The wide blade or the third prong are provided for your safety. If the provided plug does not fit into your outlet, consult an electrician for replacement of the obsolete outlet.
- 10 .Protect the power cord from being walked on or pinched particularly at plugs, convenience receptacles, and the point where they exit from the apparatus.
- 11 .Only use attachments/accessories specified by the manufacturer.



12 .Use only with the cart, stand, tripod, bracket, or table specified by the manufacturer, or sold with the apparatus. When a cart is used, use caution when moving the cart/apparatus combination to avoid injury from tip-over.

13 .Unplug this apparatus during lightning storms or when unused for long periods of time.

14 .Refer all servicing to qualified service personnel. Servicing is required when the apparatus has been damaged in any way, such as power-supply cord or plug is damaged, liquid has been spilled or objects have fallen into the apparatus, the apparatus has been exposed to rain or moisture, does not operate normally, or has been dropped.

WARNING: TO REDUCE THE RISK OF FIRE OR ELECTRIC SHOCK, DO NOT EXPOSE THIS APPARATUS TO RAIN OR MOISTURE.
(UL60065_03)

FCC INFORMATION (For US Customers)

FCC ID: 2A44OKA-100

NOTE: This equipment has been tested and found to comply with the limits for a Class B digital device, pursuant to part 15 of the FCC Rules. These limits are designed to provide reasonable protection against harmful interference in a residential installation. This equipment generates uses and can radiate radio frequency energy and, if not installed and used in accordance with the instructions, may cause harmful interference to radio communications. However, there is no guarantee that interference will not occur in a particular installation. If this equipment does cause harmful interference to radio or television reception, which can be determined by turning the equipment off and on, the user is encouraged to try to correct the interference by one or more of the following measures:

- Reorient or relocate the receiving antenna.
- Increase the separation between the equipment and receiver.
- Connect the equipment into an outlet on a circuit different from that to which the receiver is connected.
- Consult the dealer or an experienced radio/TV technician for help.

Changes or modifications not expressly approved by the party responsible for compliance could void the user's authority to operate the equipment.

This device complies with Part 15 of the FCC Rules. Operation is subject to the following two conditions:

- (1) This device may not cause harmful interference, and
- (2) This device must accept any interference received, including interference that may cause undesired operation.

PRECAUTIONS

PLEASE READ CAREFULLY BEFORE PROCEEDING

Keep the manual in a safe place for future reference.



WARNING

Always follow the basic precautions listed below to avoid the possibility of serious injury or even death from electrical shock, short-circuiting, damages, fire or other hazards.

These precautions include, but are not limited to, the following:

Important! Before Using Your Amplifier!

Power Supply —

- * Use only the supplied power cord/plug. If you intend to use the product in an area other than in the one you purchased, the included power cord may not be compatible.
- * Only use the voltage specified as correct for the product. The required voltage is printed on the name plate of the product.
- * Do not place the power cord near heat sources such as heaters or radiators, and do not excessively bend or otherwise damage the cord, place heavy objects on it, or place it in a position where anyone could walk on, trip over, or roll anything over it.
- * Make sure to fully insert the electric plug to prevent electric shocks or fire.
- * When setting up the product, make sure that the AC outlet you are using is easily accessible. If some trouble or malfunction occurs, immediately turn off the power switch and disconnect the plug from the outlet. Even when the power switch is turned off, as long as the power cord is not unplugged from the wall AC outlet, the product will not be disconnected from the power source.
- * Be sure to connect to an appropriate outlet with a protective grounding connection. Improper grounding can result in electrical shock, fire, or damage.
- * Remove the electric plug from the outlet when the product is not to be used for extended periods of time.
- * Do not touch the product or the electric plug during an electrical storm.

Do not open —

- * This product contains no user-serviceable parts. Do not attempt to disassemble the internal parts or modify them in any way.

Connection —

- * Before turning the power of all devices on or off, make sure that all volume levels are set to the minimum. Failing to do so may result in hearing loss or device damage.
- * When turning on the AC power in your audio system, always turn on the product LAST, to avoid hearing loss and speaker damage. When turning the power off, the product should be turned off FIRST for the same reason.

Location —

- * Do not place the product in an unstable position or a location with excessive vibration, where it might accidentally fall over and cause injury.
- * Keep this product out of reach of children. This product is not suitable for use in locations where children are likely to be present.
- * When installing the product:
 - Do not cover it with any cloth.
 - Do not install it on a carpet or rug.
 - Make sure the top surface faces up; do not install on its sides or upside down.
 - Do not use the product in a confined, poorly-ventilated location.
Inadequate ventilation can result in overheating, possibly causing damage to the product(s), or even fire. Make sure that there is adequate space around the product: at least 20cm above, 20cm at the sides and 20cm behind.
- * Do not place the product in a location where it may come into contact with corrosive gases or salt air. Doing so may result in malfunction.
- * Before moving the product, remove all connected cables.
- * Do not press the rear panel of the product against the wall. Doing so may cause the plug to come in contact with the wall and detach from the power cord, resulting in short circuiting, malfunction, or even fire.

Water / Fire warning —

- * Do not expose the product to rain, use it near water or in damp or wet conditions, or place on it any containers (such as vases, bottles or glasses) containing liquids which might spill into any openings.
- * Never insert or remove an electric plug with wet hands.
- * Do not place any burning items or open flames near the product, since they may cause a fire.

Abnormality —

- * If any of the following problems occur, immediately turn off the power switch and disconnect the electric plug from the outlet.
 - The power cord or plug becomes frayed or damaged.
 - Unusual smells or smoke are emitted.
 - Some object, or water has been dropped into the product.
 - There is a sudden loss of sound during use of the product.
 - Cracks or other visible damage appear on the product.

Handling and Maintenance —

- * Do not use the product in the vicinity of a TV, radio, or other electric products. Otherwise, the product, TV, or radio may generate noise.
- * Do not expose the product to excessive dust or vibration, or extreme cold or heat, in order to prevent the possibility of panel disfiguration, unstable operation, or damage to the internal components.
- * Do not install in locations where temperature changes are severe. Otherwise, condensation may form on the inside or the surface of the product, causing it to break or deform the wood. Do not leave condensation on the wood; wipe immediately with a soft cloth.
- * If there is reason to believe that condensation might have occurred, leave the product for several hours without turning on the power until the condensation has completely dried out, in order to prevent possible damage.
- * Do not touch the speaker driver unit, since it might cause malfunction.
- * Do not place vinyl, plastic or rubber objects on the product, since this might cause alteration or discoloration of the panel.
- * When cleaning the product, use a dry and soft cloth. Do not use paint thinners, solvents, cleaning fluids, or chemical impregnated wiping cloths, since this might cause alteration or discoloration.
- * Do not place the speaker face down.
- * Air blowing out of the bass reflex ports is normal, and often occurs when the speaker is handling program material with heavy bass content.
- * Always turn the power off when the device is not in use.

NOTES:

STARFAVOR cannot be held responsible for damage caused by improper use or modifications to the device.

OVERVIEW

Introducing the Starfavor KA-500 Home Theater Karaoke Amplifier System / Receiver, designed to take your karaoke and home theater acoustic sound experience to new heights. With its impressive power output of 500W (4X100W + 2X50W) at 4Ω, this amplifier system from Starfavor delivers exceptional audio performance, immersing you in a captivating home entertainment environment.

The Starfavor KA-500 allows you to connect and amplify 3 pairs of speakers simultaneously, ensuring high-quality sound reproduction throughout your space. The Speaker Selector feature lets you effortlessly switch between Speaker A, Speaker B, or both, offering flexibility and customization for your audio distribution needs. It also features a dedicated subwoofer output, allowing you to connect two sets of active subwoofers for enhanced low-frequency impact.

Equipped with versatile connectivity options, the KA-500 supports various external sources. Connect up to 4 pairs of RCA audio inputs to seamlessly integrate with CD/VCD/DVD/Vinyl record players. Enjoy the convenience of USB and SD card inputs, as well as a built-in FM radio receiver, providing access to a wide range of music options. With 2 X 1/4" microphone inputs featuring echo effect and a high-power headphone output, you can take center stage and engage in thrilling karaoke sessions or enjoy private listening experiences. The built-in phono preamp allows you to effortlessly connect a vinyl record player or tape deck, expanding your audio enjoyment possibilities.

Experience the freedom of wireless music streaming with the built-in BT wireless functionality. Effortlessly stream your favorite music services, podcasts, and more from BT-enabled devices, creating a seamless and wire-free audio experience.

Tailor the audio output to your preferences with the internal 3-band equalizer, allowing you to adjust the frequency response and optimize the sound for your bookshelf speakers. The Balance knob enables precise control over the audio signal levels, ensuring a balanced and immersive soundstage.

With its sleek design and integrated LED display, the Starfavor KA-500 adds a touch of elegance to your home entertainment setup. Conveniently control the modes, input sources, track information, and folder names with ease. The package includes an FM antenna and a remote control for effortless audio adjustments from a distance.

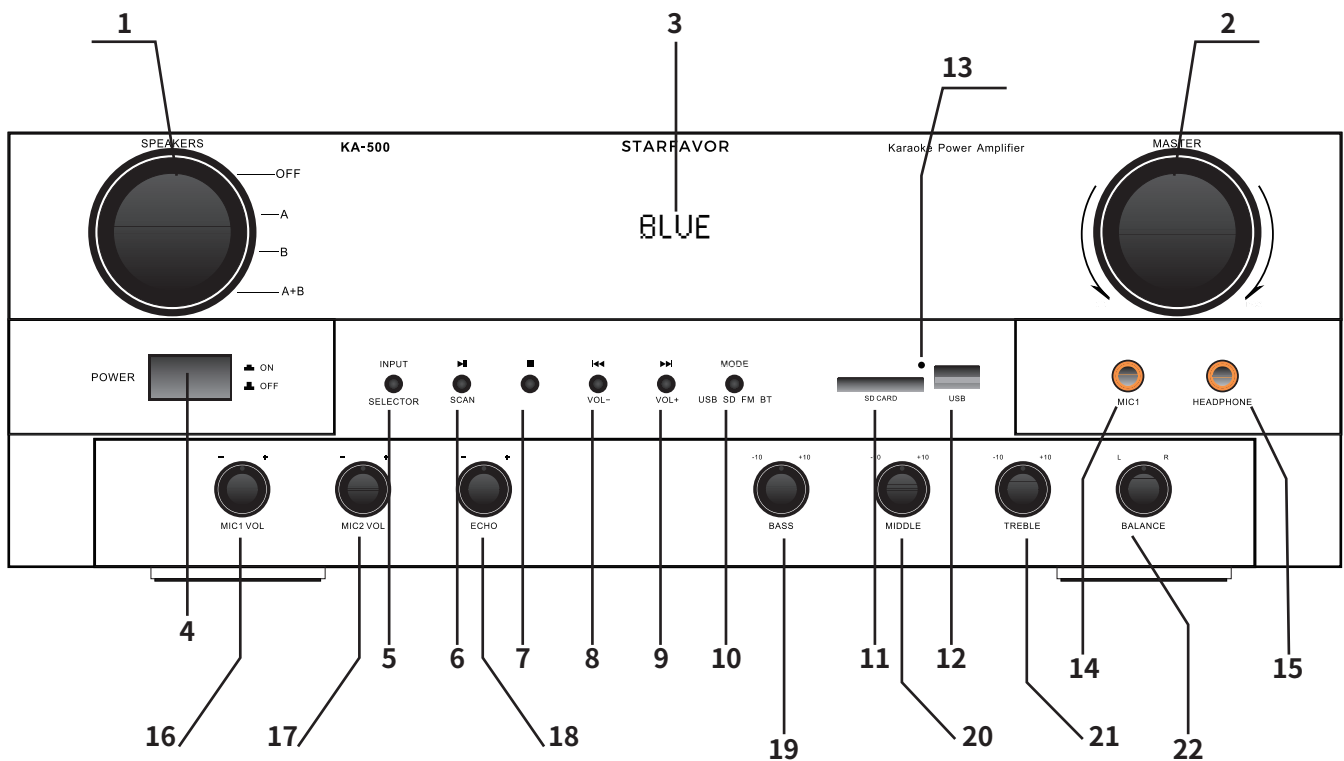
Elevate your karaoke and home theater experience with the Starfavor KA-500 Home Theater Karaoke Amplifier System / Receiver, where outstanding audio performance meets seamless connectivity and customizable sound settings. Immerse yourself in a world of captivating entertainment, brought to you by Starfavor.

- **Powerful Sound Amplification:** Experience an impressive 500W (4X100W + 2X50W) power output at 4Ω for a powerful and immersive sound experience in your karaoke and home theater setup.
- **Versatile Speaker Connections and Subwoofer Output:** Connect and amplify 3 pairs of speakers simultaneously, with the ability to switch between Speaker A, Speaker B, or both. Enhance the low-frequency impact with a dedicated subwoofer output.
- **Enhanced Connectivity Options, including Phone Preamp Input:** Enjoy various connectivity options, such as RCA inputs for CD/VCD/DVD players and vinyl record players, USB and SD card inputs, built-in FM radio, and 1/4" microphone inputs. Connect a turntable or cassette deck with the dedicated phone preamp input.
- **Seamless Wireless Music Streaming:** Stream your favorite music services and podcasts wirelessly from BT-enabled devices, eliminating the need for cables.
- **Customizable Sound Settings:** Tailor the audio output to your preferences with the internal 3-band equalizer, ensuring a perfect match with your bookshelf speakers.

SUPPLIED ITEMS

- ----- KA-500
- ----- Remote control
- ----- FM antenna
- ----- RCA to 1/8" stereo cable

PANEL LAYOUT

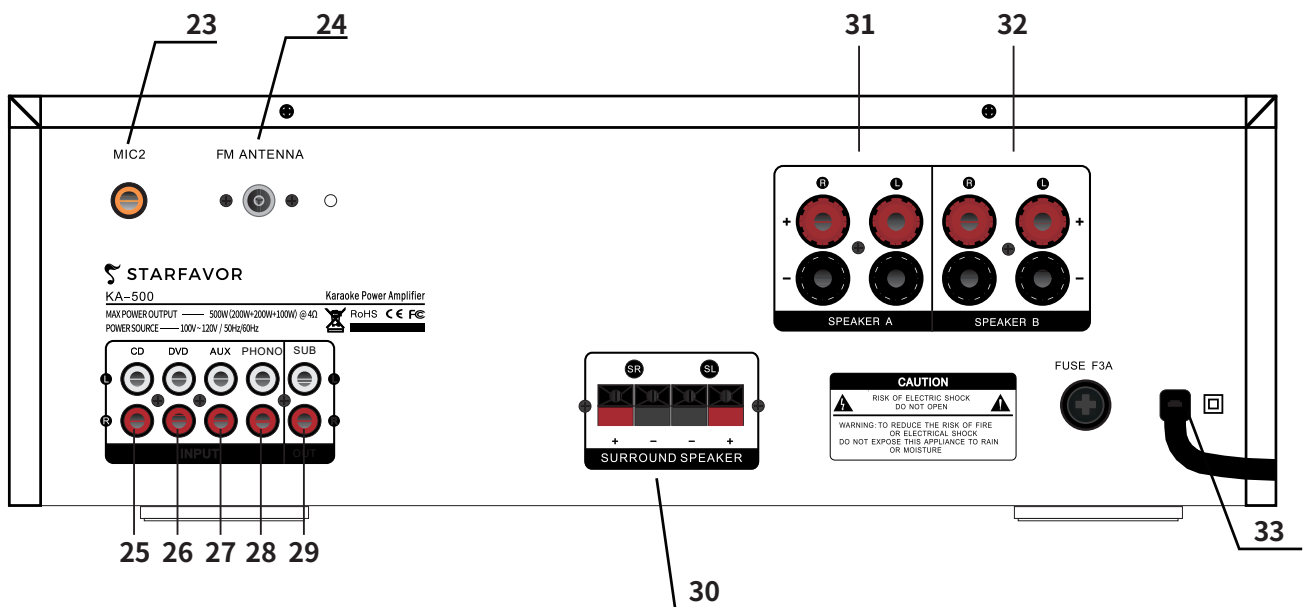


1. **SPEAKERS:** Select speaker group outputs with options like OFF, Speaker A, Speaker B, and Speaker A+B. Choosing Speaker A routes audio through Speaker A connectors to go up A, while selecting Speaker B directs it through Speaker B connectors to group B. Enable Speaker A+B to enjoy synchronized playback from both groups. When set to OFF, Speaker A and B outputs are muted. If the surround group is connected, it will produce sound alongside Speaker A and B.
2. **MASTER:** Adjusts the output level of the amplifier for the speaker outputs. It also adjusts the Headphone output volume.
3. **LCD Display:** features a clear and informative LCD display that showcases the current Mode, Input source, Track, and Folder name. Conveniently navigate and control the display using the intuitive bottom buttons or the included remote control.
4. **Power Switch:** Turns power to the amplifier ON/OFF.

NOTES: Turning the power switch ON and OFF in rapid succession can cause the device's electronics to malfunction. Please wait for 3 seconds or more after turning the power OFF before turning it ON again.

Even when the power switch is turned off, electricity is still flowing to the product at the minimum level. When you are not using the product for a long time, make sure to unplug the power cord from the wall AC outlet.

5. **INPUT SELECTOR:** Effortlessly choose your desired audio input source with the Input Selector feature. Select from a variety of options including CD, DVD, AUX, PHONO, BLUE (BT wireless), FM mode, or USB/SD Card Mode (when connected).
6. **Play/Pause:** Play/Pause the music (Only works for BLUE, USB, SD inputs) or scans from lower to higher frequency FM stations.
7. **STOP:** Stop the music playing (Only works for BLUE, USB, SD inputs) or stop the FM playing.
8. **PREV:** Turns to PREV song (Only works for BLUE, USB, SD inputs) or PREV FM station.
9. **NEXT:** Turns to next song (Only works for BLUE, USB, SD inputs) or next FM station.
10. **MODE:** Press the INPUT SELECTOR button to activate BLUE MODE (LCD display). Use the MODE button to conveniently adjust between various input sources, including USB, SD card, FM, or BT wireless.
11. **SD/MMC Card:** For connecting SD card or MMC card to playing music.
NOTES: KA-500 only support USB Flash Drive, SD card or MMC card format of FAT32 and NTFS. Please format your USB Flash Drive, SD card or MMC card and change it to the format of FAT32 and NTFS if it can not be recognized.
12. **USB:** USB input for connecting USB Flash Drive to playing music.
13. **BT LED:** While using BLUE Mode, the BT LED will flash to indicate the BT wireless is disconnected. Pair it with your BT wireless equipment (Cellphone, TV or iPad etc). The BT LED will stop flashing when successfully connect (LCD will also display BT icon).
14. **MIC1:** 1/4" TS input for connecting microphone. Supports connecting two microphones simultaneously.
15. **Headphone:** 1/4" stereo input for connecting high impedance headphone. Recommended to use 64Ω headphone to get better experience.
Notes: Headphone volume is controlled by the MASTER knob. If you only want to use headphone output without speaker output, please adjust the SPEAKER knob to "OFF".
16. **MIC1 VOL:** Sets the gain of Mic1 inputs. The maximum mic gain is 65dB.
17. **MIC2 VOL:** Sets the gain of Mic2 inputs. The maximum mic gain is 65dB.
18. **ECHO:** Adjusts the echo effect level of MIC1 and MIC2 inputs.
19. **BASS:** Adjusts the low-frequency response of music playing at 100Hz by ± 10 dB.
20. **MID:** Adjusts the mid-frequency response of music playing at 1kHz by ± 10 dB.
21. **TREBLE:** Adjusts the high-frequency response of music playing at 10kHz by ± 10 dB.
22. **BALANCE:** Adjusts the balance of the left and right channel.



23. **MIC2:** 1/4" TS input for connecting another microphone. Supports connecting two microphones simultaneously.
24. **ANTENNA terminals:** Used to connect the radio antennas. The FM antenna was included in the box.
25. **CD/VCD Input:** RCA audio input for connecting to CD/VCD/DVD player or tape deck.
26. **DVD Input:** RCA audio input for connecting to CD/VCD/DVD player or tape deck.
27. **AUX Input:** RCA audio input for connecting to CD/VCD/DVD player or tape deck.
28. **PHONO Input:** RCA audio input specifically designed for connecting your vinyl record player or tape deck. With its built-in phono preamp, you can enjoy enhanced audio quality and accurate reproduction of your favorite vinyl records. If your record player already has a built-in preamp, please turn it off.
29. **SUB Output:** Experience enhanced low-frequency performance by connecting active subwoofers to the SUB Output. With two dedicated RCA jacks, you can connect up to two sets of active subwoofers, adding depth and impact to the low-frequency reproduction of your audio. Notes: The SUB Output does not provide power to the connected subwoofers. It is essential to connect active subwoofers to ensure proper sound output
30. **SURROUND SPEAKER:** Surround Speaker group for connecting to the center speakers and the surround speakers. Connect speaker cables with the polarities + (red)/- (black) matched between the amplifier and the speakers. Connect speakers with a nominal impedance of 4 ohms to 16 ohms.
31. **SPEAKER A:** Speaker group A for connecting to the passive speakers. Connect speaker cables speakers with a nominal impedance of 4 ohms to 16 ohms.
32. **SPEAKER B:** Speaker group B for connecting to the passive speakers. Connect speaker cables with the polarities + (red)/- (black) matched between the amplifier and the speakers. Connect speakers with a nominal impedance of 4 ohms to 16 ohms.
33. **AC Power Cord:** Connects the power plug to AC100V - 120V, 50Hz/60Hz..

NOTES:

Please install 2 X AAA size batteries(Not included) first before using Remote Control.



1. **CD:** Selects the audio input source from CD input.
2. **SLEEP:** Take control of the sleep state of the KA-500 with the dedicated SLEEP button. This function allows you to manage the power status of the amplifier. When activated, it puts the KA-500 in a sleep mode, conserving energy while maintaining the settings. It is important to note that the SLEEP function only takes effect when the power is turned on.
3. **DVD:** Selects the audio input source from DVD input.
4. **AUX:** Selects the audio input source from AUX input.
5. **PHONO:** Selects the audio input source from PHONO input
6. **PLAY Button:** Play/Pause the music or scans from lower to higher frequency FM stations
(Only works in BLUE/USB/SD/FM Mode).
7. **MODE:** Selects the audio input from BLUE mode(BT wireless), FM mode or USB/SD Card Mode (If plugged in) .
8. **STOP Button:** Stop the music playing or stop scanning FM
(Only works in BLUE/USB/SD/FM Mode).
9. **PREV Button:** Turns to PREV song or PREV FM station
(Only works in BLUE/USB/SD/FM Mode).

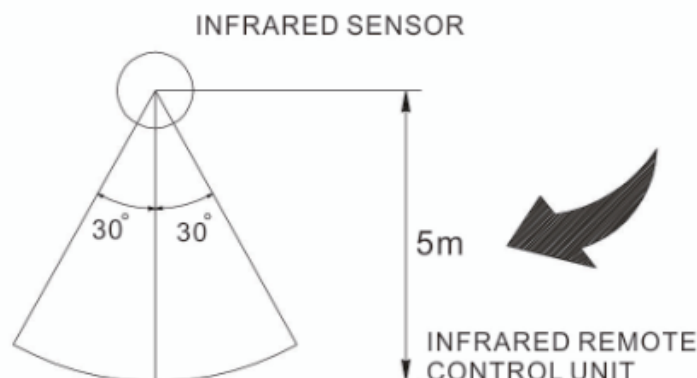
10. **NEXT Button:** Turns to next song or next FM station (Only works in BLUE/USB/SD/FM Mode).

11. **VOL-:** Adjust the volume of the amplifier.

12. **VOL+:** Adjust the volume of the amplifier.

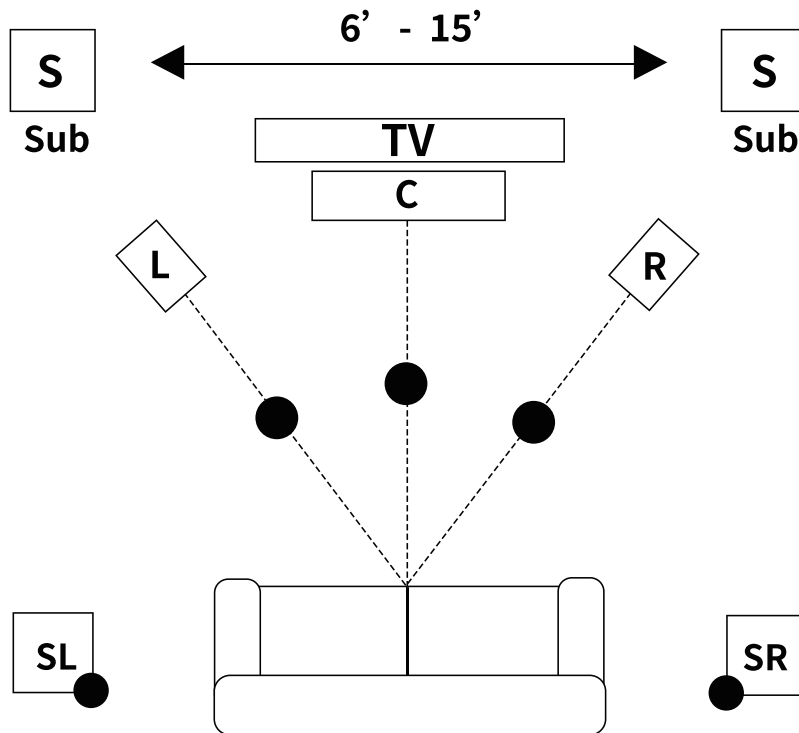
NOTES:

The remote control only can be affected within 5 meters and ± 30 degrees.

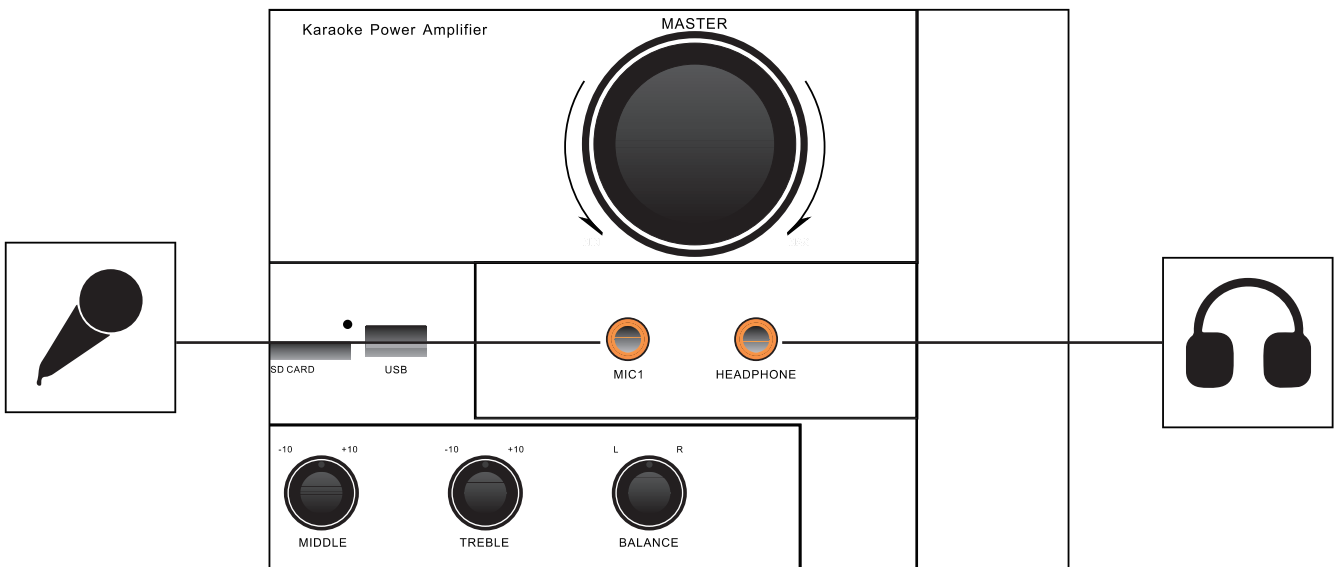


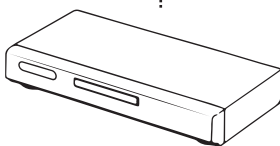
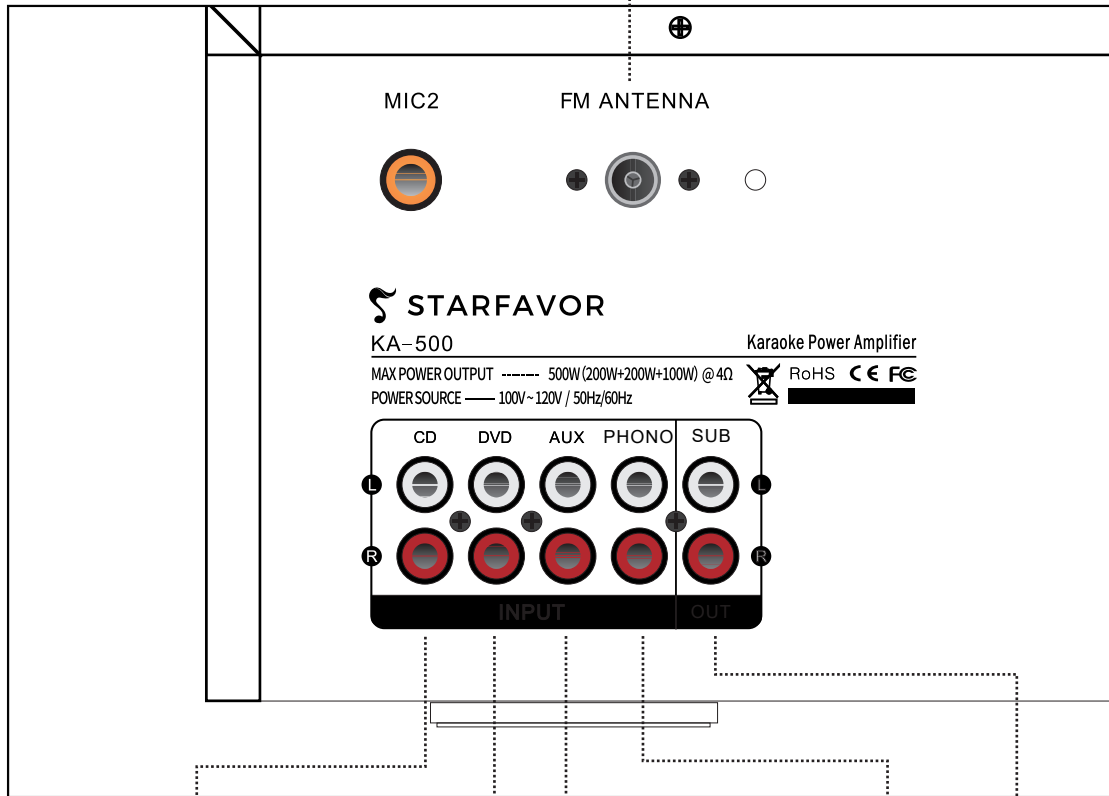
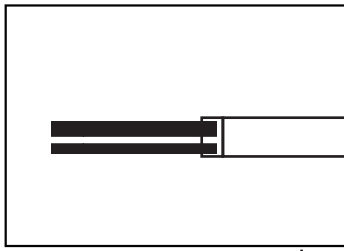
PLACEMENT

You can enjoy the music with STARFAVOR KA-500 Home Theater Karaoke Amplifier System / Receiver in the location as the refer to the following:

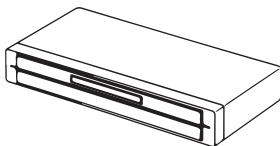


Connecting Audio devices:

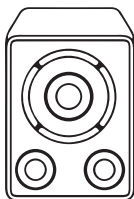




CD

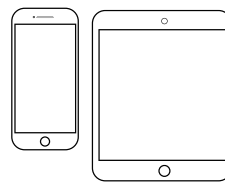


DVD

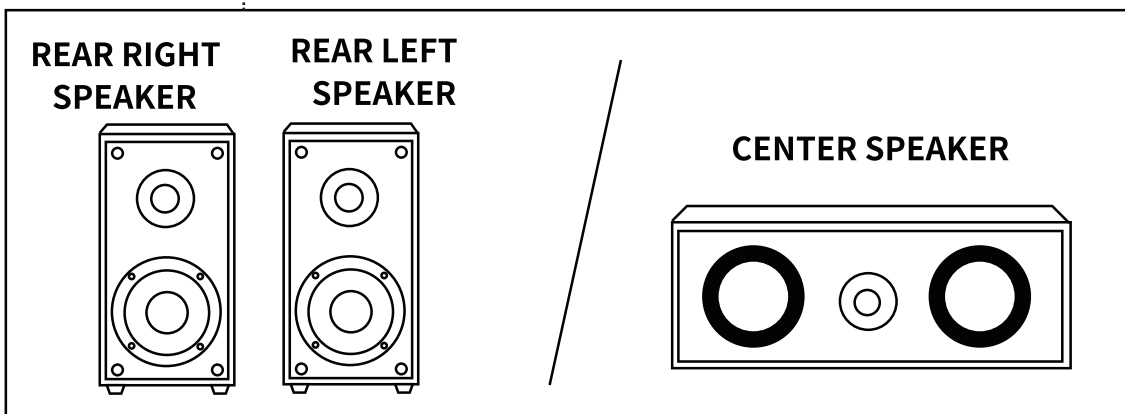
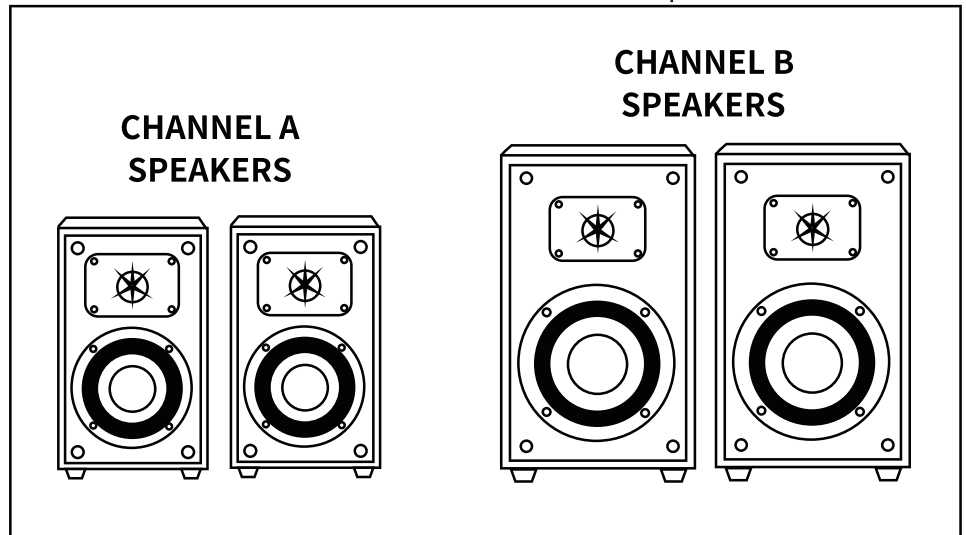
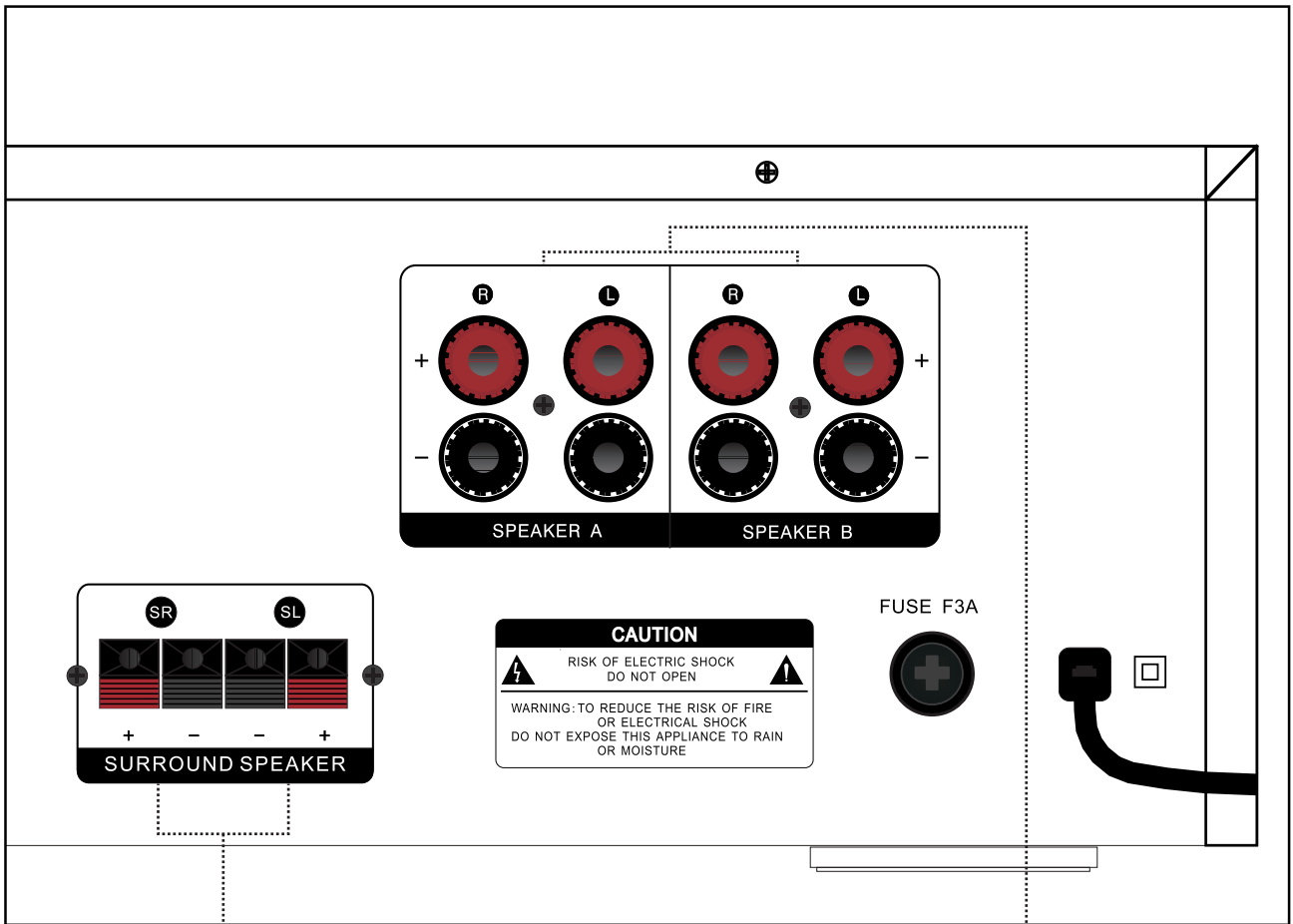


SUB

IPHONE/IPOD



PHONO



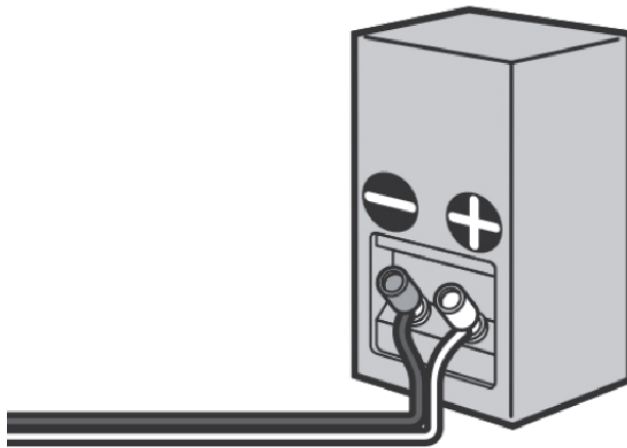
SETUP

NOTES:

- Connect speakers with a nominal impedance of 4 ohms to 16 ohms.
- Before connecting cables, be sure to disconnect the AC power cord (mains lead).
- Before connecting the AC power cord (mains lead), make sure that metallic wires of the speaker cables are not touching each other between the SPEAKERS terminals or on the receiver rear panel. If the wires are touching, it may result in damage to the amplifier circuit.

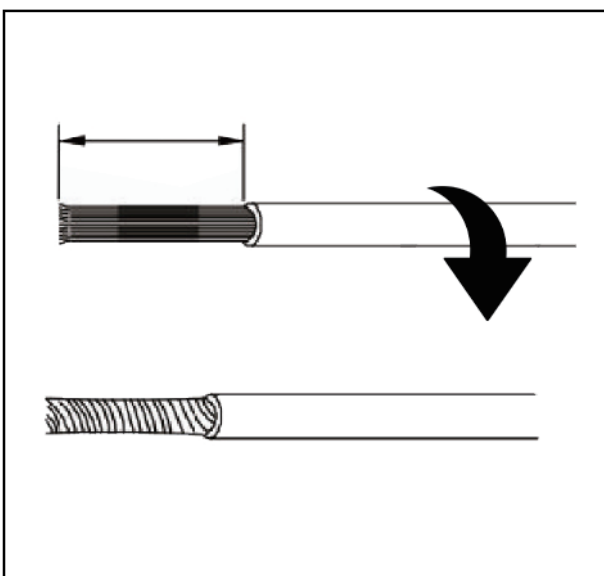
How to connect speaker cables

Connect speaker cables with the polarities + (red)/- (black) matched between the receiver and the speakers

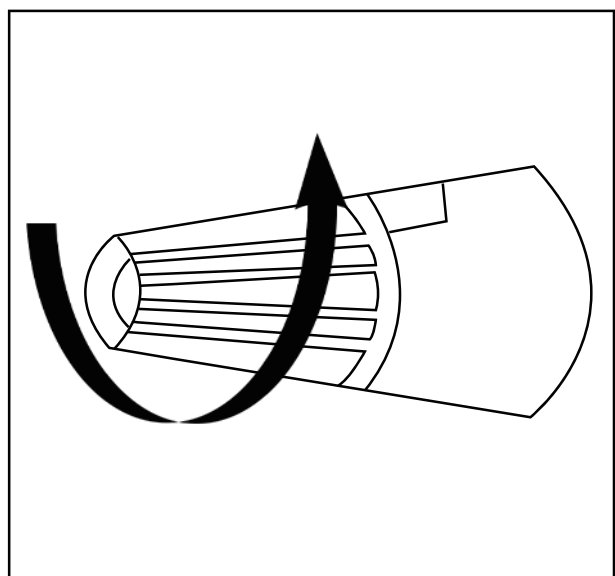


Connect the speakers with wire:

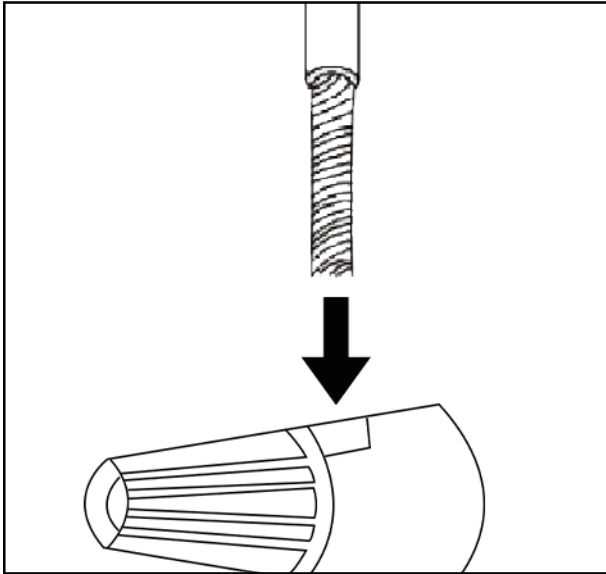
1. Twist wire coating off.



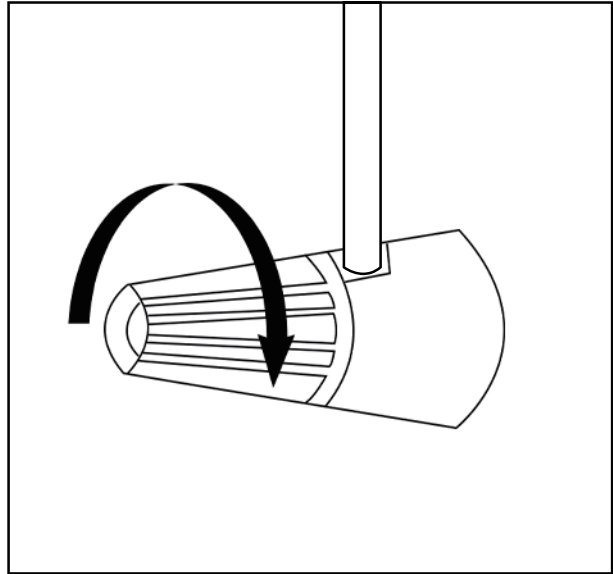
2. Loose the terminal anti-clockwise.



3. Insert the bare wire.

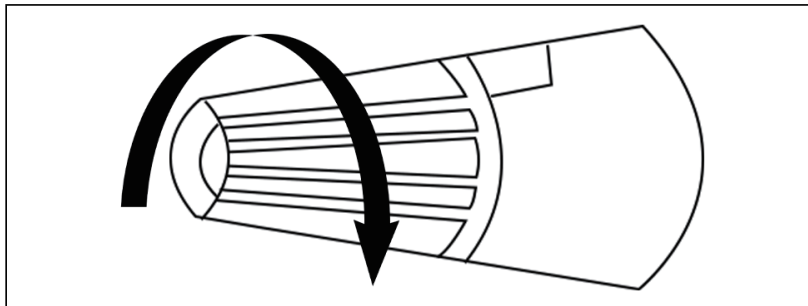


4. Tighten the terminal.

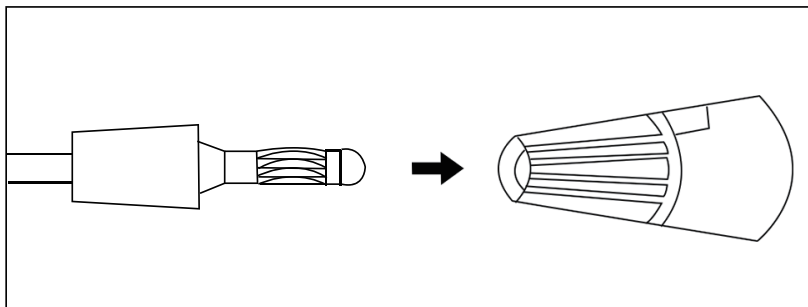


Connect the speakers with a banana plug:

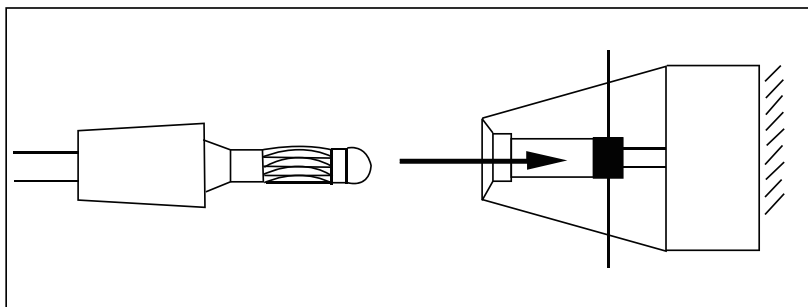
1. Tighten the speaker terminal.



2. Insert the banana plug tightly into the terminal



3. Profile



Notes: The sound will be distorted or no bass if misplace the left speaker with right or misplace the poles. Any wrong connection will cause malfunction or even damage the unit.

BLUE MODE

Pairing is an operation in which BT wireless devices are registered to each other before connection. Follow the steps below to pair the BT wireless device and the receiver. Once the BT wireless devices are paired, there is no need to pair them again.

1. Place the BT wireless device within 1 meter (3.3 feet) of the receiver.
2. Press INPUT SELECTOR Button or press the Mode button of the remote control to the mode “BLUE” (LCD will display “BLUE”). The white LED will flash if the BT wireless is disconnected.
3. Select “KA-500” on the BT wireless device display. The white LED will stop flashing if it is connected.
4. Start playback on the BT wireless device.
5. Adjust the volume of the BT wireless device first. If the volume level is still too low, Rotate the Output knob to adjust the volume level of the receiver.

SPECIFICATIONS

Input	2 X 1/4” TS Mic Input. 1 X USB Drive Input. 1 X SD/MMC Card Input. 4 X RCA Input (PHONO input is built-in preamp).
Output	1 X Headphone Output . 2 pair of Main Speaker Outputs (4Ω - 16Ω). 1 pair of Surround Speaker Outputs. 1 pair of Subwoofer Output.
Power Requirements	AC 100V - 120V ~ 50/60Hz
Output Power	500 Watts at 4Ω (100W + 100W for Speaker A, 100W + 100W for Speaker B, 50W + 50W for Surround Speaker.)
Frequency Response	20Hz - 20KHz
Maximum Input Level	250mV/47K
Signal noise ratio	≥85dB
THD+N	≤0.1%
Mic Input Impedance	10KΩ
Load Impedance	4Ω - 16Ω
Aux Input Impedance	22K
Bass	100Hz/±10dB
Mid	1kHz/±10dB
Treble	10kHz/±10dB
Weight	5.7KG.

Dimensions	430mm X 345mm X 200mm
Accessories	Owner's Manual. Remote control; FM antenna. RCA to 1/8" stereo cable X 1.

NOTES: Any specification's update will not be amended in this manual

TROUBLESHOOTING

Symptom	Solution
No sound or only a very low level of sound is heard, no matter which device is selected.	<p>Check that all connecting cables are inserted to their input/output jacks on the receiver, speakers and the devices.</p> <p>Check that the receiver and all devices are turned on.</p> <p>Check that MASTER on the receiver is not set to "MIN".</p> <p>Try pressing the INPUT SELECTOR button to select the input to which you want to listen.</p> <p>Try rotating the SPEAKER knob to select the output speaker group to which you want to listen.</p> <p>The protective device on the receiver has been activated. Turn off the receiver, eliminate the short-circuit problem, and turn on the power again.</p> <p>Make sure you have connected to both the L and R jacks of an analog device, as analog devices require both L and R jack connections.</p>
There is severe humming or noise.	<p>Check that the speakers and device are connected securely.</p> <p>Make sure that the connecting cables are not near a transformer or motor.</p> <p>Move your audio device away from the TV.</p> <p>If the plugs and jacks are dirty, wipe them with a cloth slightly moistened with alcohol.</p>
Noisy or distorted sound	<p>Replace faulty or broken cable(s).</p> <p>Try changing the positions or layout of the cables.</p> <p>Try changing the location of other electrical / electronic devices that are near the speakers.</p>