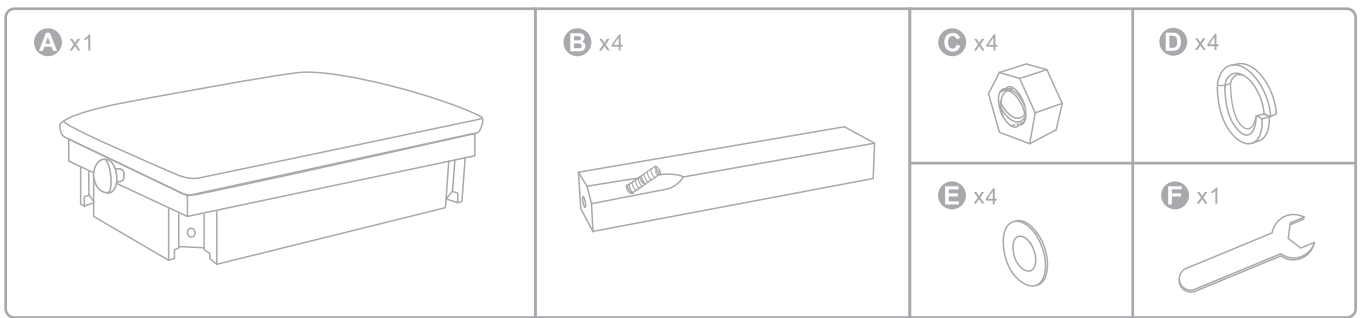
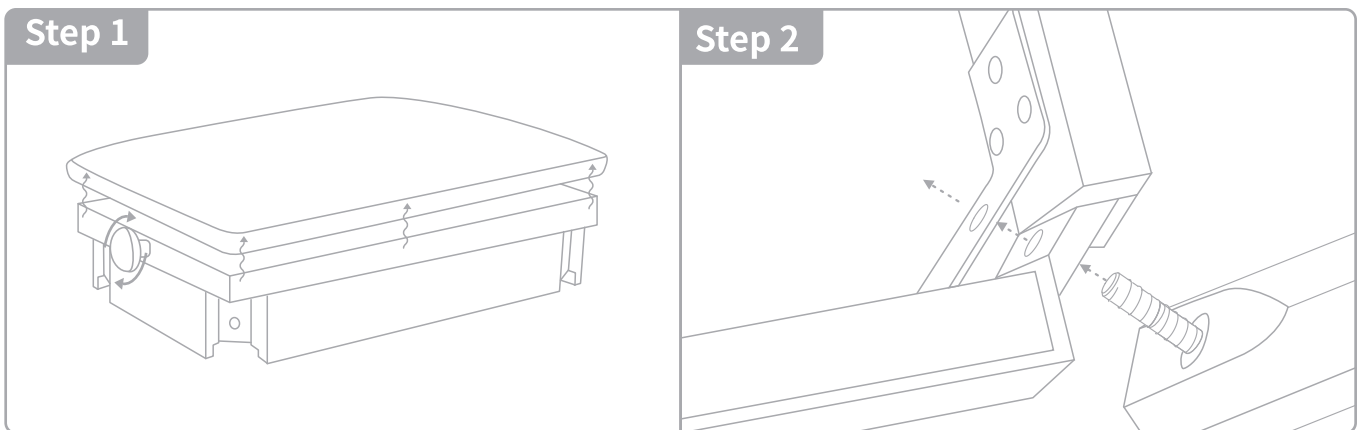


 **STARFAVOR**

USER MANUAL
STB - 480 PIANO BENCH

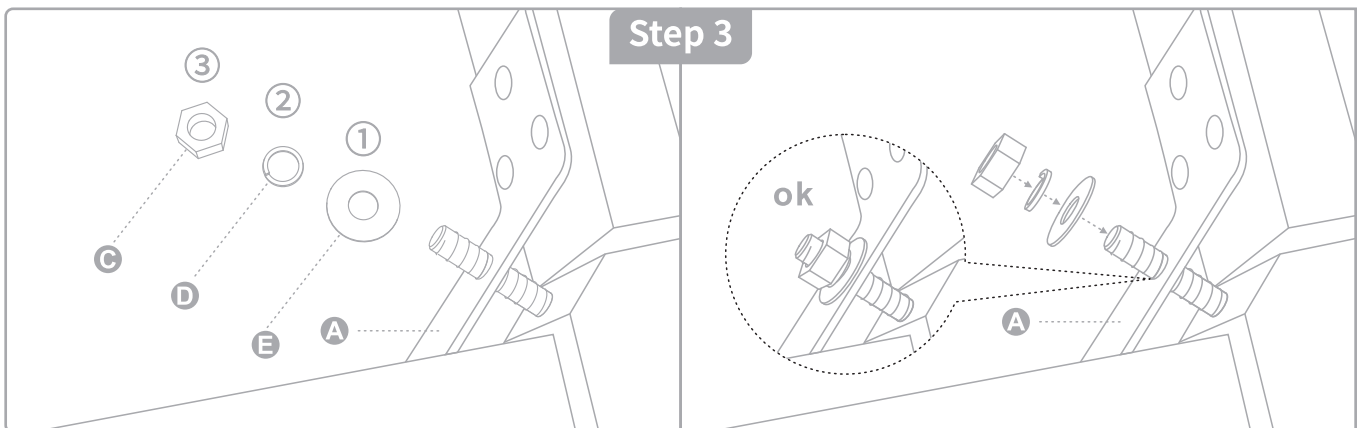


- A** Bench body + lifting frame*1
B Bench legs*4
C Nut*4
D Washer*4
E Iron sheet*4
F Installation wrench*1

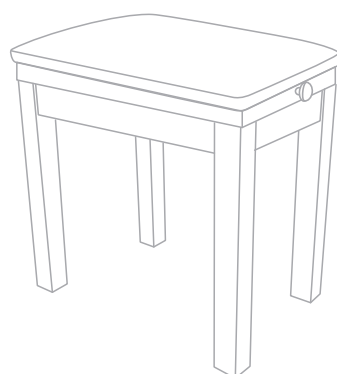


Step 1: Facing the bench to the ground, twist the knob handles on both sides to raise the height a little.

Step 2: Plug the screw into the stool leg hole.



Step 3: Remove the nut and iron ring, then insert the stool leg in the frame hole, and install it in order. Wrench the nut until the 2 iron ring to be flattened.



Note: Please make sure installation completed before use it.