

Starfavor SS-01

Desktop Clamp-On Speaker Stand Owner's Manual

PRECAUTIONS

PLEASE READ CAREFULLY BEFORE PROCEEDING

Keep the manual in a safe place for future reference

DO NOT OPEN

* This product contains no user-serviceable parts. Do not attempt to disassemble the internal parts or modify them in any way.

SAFETY INFORMATION

- To reduce risk of internal damage or malfunction, never expose the unit to rain, moisture or excessive humidity. Never let any liquid spill on the unit.
- Never expose the unit to a temperature higher than 60°C (140°F).
- Never step over the unit or step on it with your full weight, this might cause permanent damages to the unit's structure.
- All servicing should be referred to qualified personnel only.

OVERVIEW

Thank you for purchasing Starfavor SS-01 desktop clamp-on speaker stands. The pair of Starfavor SS-01 desktop clamp-on speaker stands support 3-inch to 10-inch studio monitors and bookshelf speakers in both vertical and horizontal orientations to improve speaker performance and provide superior isolation performance during playback and mixing.

Separating and elevating speakers from your desktop surface, the SS-01 speaker stands give you a more isolated audio response for improved accuracy during studio monitoring and music listening. The SS-01 stands reduce internal

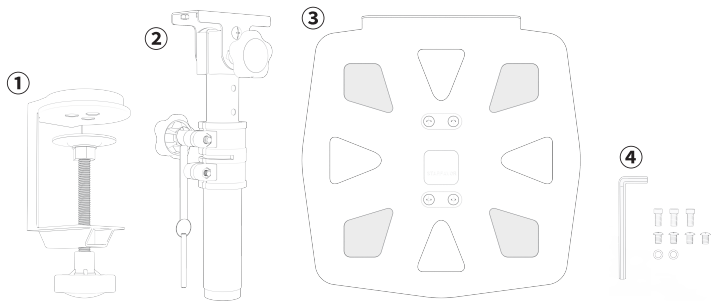
reflections to eliminate smear and improve stereo image of natural spatial sound. The built-in rubber feet manage the energy of the speaker to reduce vibrations resonating through the supporting surface to eliminate dissonant sounds in the listening area.

Easily adjust and lock the stand height from 27cm to 37cm and speaker tilt angle from 0 to 20 degrees, the SS-01 stands will help you to optimize the placement of your speakers and dial-in the perfect tilt angle to focus your tweeters to ear level. The stand clamps to desktop surfaces up to 8.5cm in thickness to free up space on your workstation table and will hold a max load of 45 lbs. In addition to speakers, the SS-01 stand also works great for MacBook and will fit similar-sized laptops.

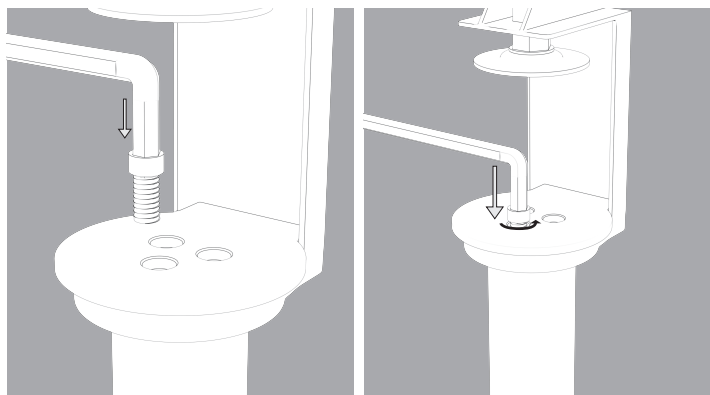
- **Support 3-inch to 10-inch studio monitors and bookshelf speakers in both vertical and horizontal orientations to give you a more isolated audio response for improved accuracy during studio monitoring and music listening.**
- **The stand clamps to desktop surfaces up to 8.5cm in thickness to free up space on your workstation table and will hold a max load of 45 lbs.**
- **4 built-in rubber feet reduce vibrations resonating through the supporting surface to eliminate dissonant sounds in the listening area.**
- **Adjust and lock the stand height from 27cm to 37cm and speaker tilt angle from 0 to 20 degrees, help you to optimize the placement of your speakers and dial-in the perfect tilt angle to focus your tweeters to ear level.**
- **Reduce internal reflections to eliminate smear and improve stereo image of natural spatial sound.**

SETUP

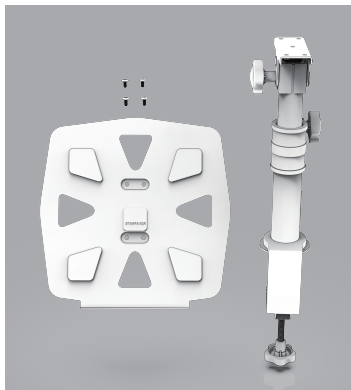
INSTALLATION GUIDE



1. Pick up part 1 and part 2, use those 3 hex socket cap screws to lock them. The hexagon wrench was included.



2. After that, use 4 cross screws to lock part 3 and the part that was done before.
(The screwdriver was not included)

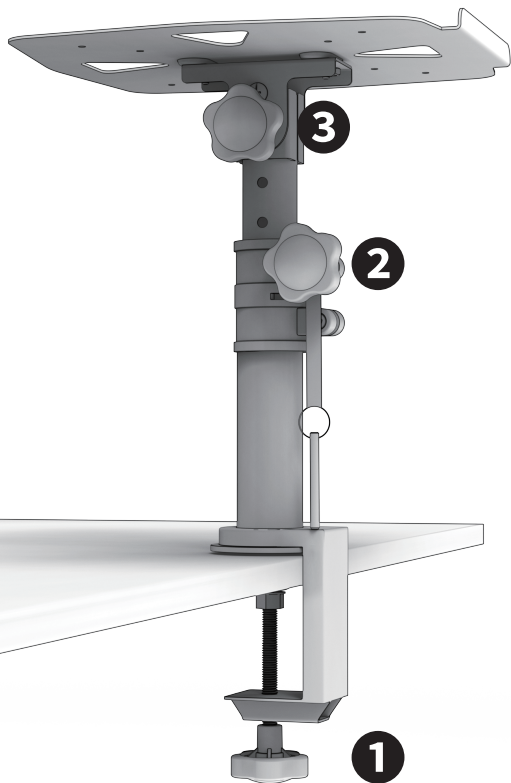


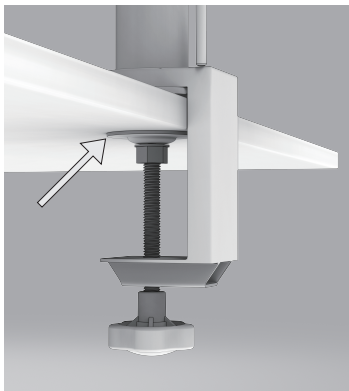
(Please pay attention to the sticker tips 'Front' and 'Back'. Below the Starfavor logo is front, the other side is back.)



3. Repeat the above steps to install another speaker stand.

SETUP GUIDE





1. Rotate the knob 1 until the right size to clamp your desk tight. The maximum thickness is 8.5cm.

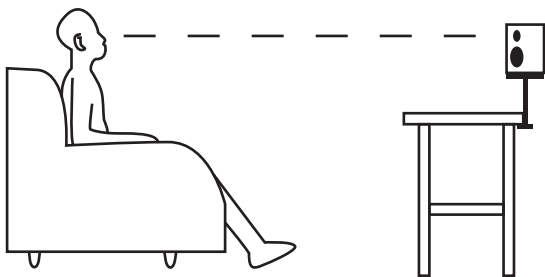
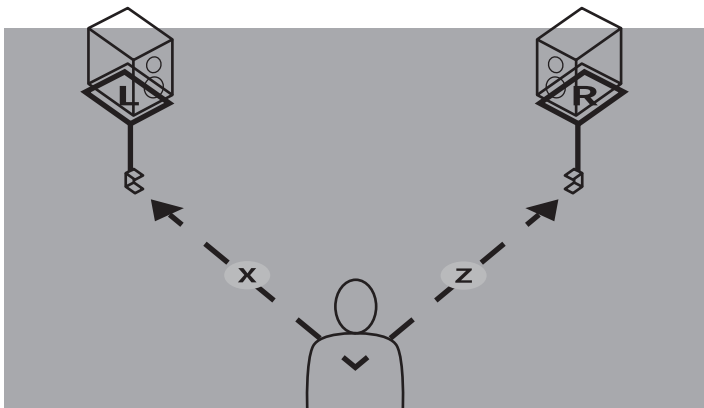


2. Loosen the knob 2, adjust the platform 'front' face yourself and adjust height to the right position. Insert the bolt into the grid where it needs to be fixed height, and rotate the knob to lock. The stand height is from 27cm to 37cm. Tighten up the knob 2 after adjustment.



3. Loosen the knob 3, dial-in the perfect tilt angle to focus your tweeters to ear level. The speaker tilt angle is from 0 to 20 degrees. Tighten up the knob 3 after adjustment.

PLACEMENT



*Notes: Any specification's update will not be amended in this manual.